

# Mini Robot

# ER3-600

ER3-600 is a mini robot.  
Maxium payload 3 kg with maxium reach 593 mm.

### Highlights

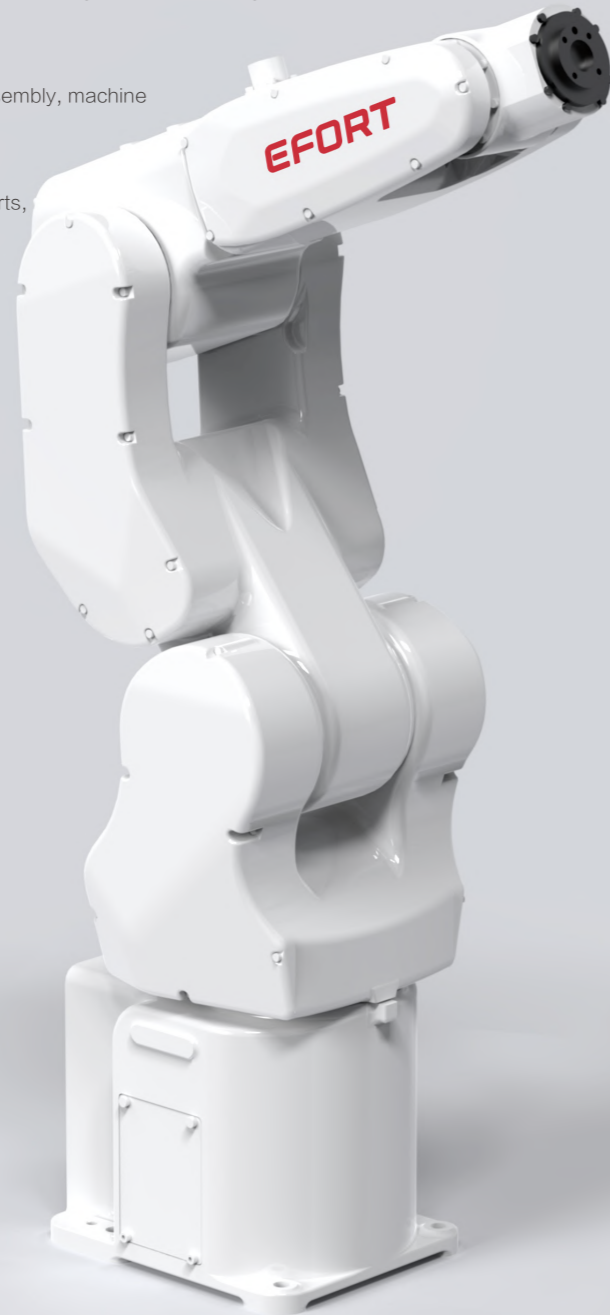
Thanks to its compact structure and built-in cable design, the ER3-600 can be easily integrated and installed, helping customers overcome harsh space installation requirements;  
ER3-600 also has a customized disassembly version for education programs, which can meet the education requirements with intelligent manufacturing focus.

### Applications

It can be widely used in handling, sorting, assembly, machine tending and other applications.

### Industries

Suitable for 3C, food and beverage, metal parts, education, plastic, pharmaceutical and other industries.



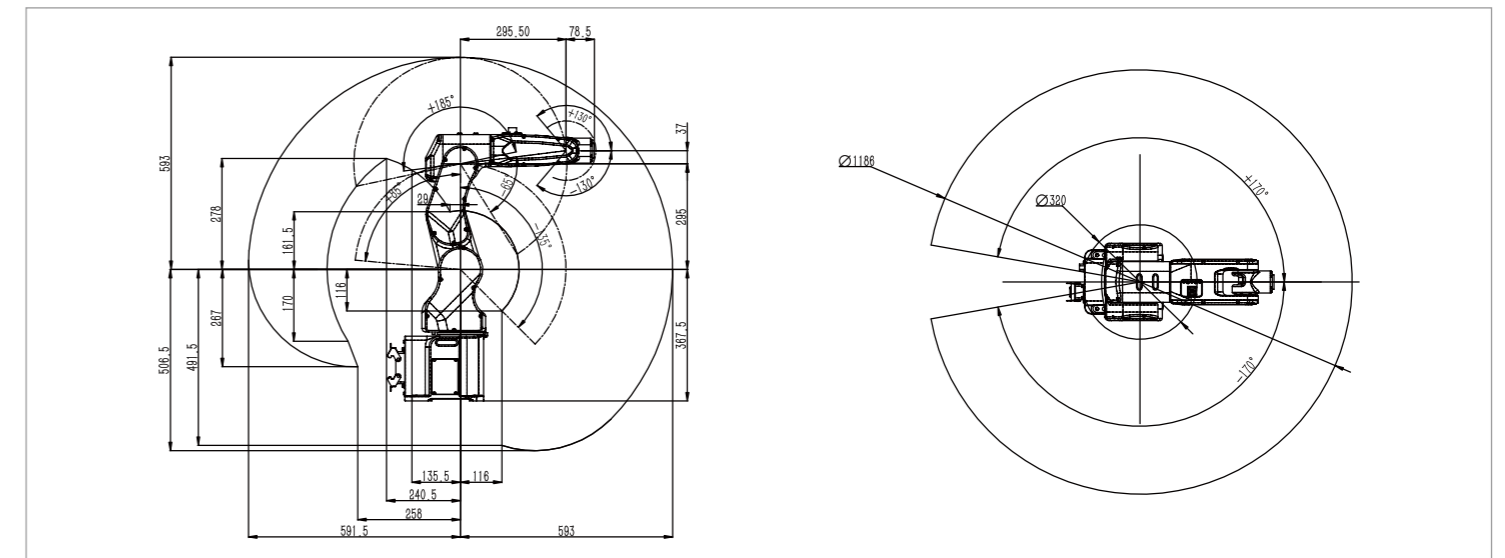
# EFORT

## SPECIFICATIONS

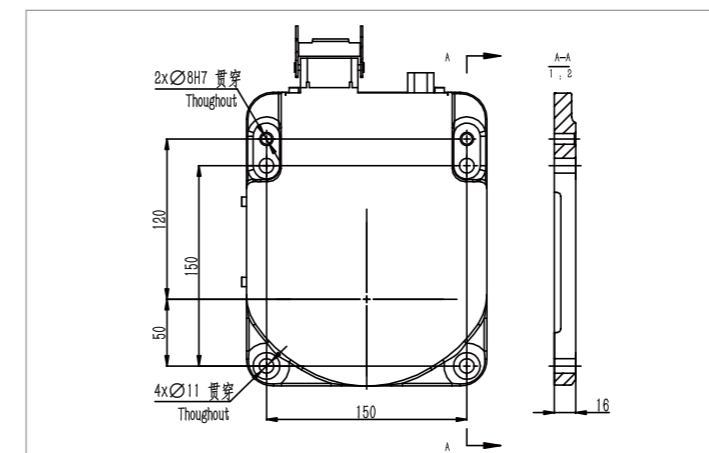
<b>Model</b>	ER3-600	
<b>Type</b>	Articulated Type	
<b>Controlled Axes</b>	6 Axes	
<b>Wrist Payload</b>	3 kg	
<b>Repeatability</b>	± 0.02 mm	
<b>Robot Weight</b>	27 kg	
<b>Reach</b>	593 mm	
<b>Robot IP Grade</b>	IP40	
<b>Cabinet IP Grade</b>	IP20	
<b>Drive Method</b>	Electric servo drive by AC servo motor	
<b>Installation</b>	Floor, Upside-down, Wall, Angle mount	
<b>Environment Requirements</b>	<b>Ambient Temperature</b>	0~45 °C
	<b>Humidity</b>	< 80%/40°C ( No Condensation )
	<b>Vibration Acceleration</b>	4.9 m/s <sup>2</sup> ( < 0.5 G )

<b>Allowable Torque</b>	<b>J4</b>	4.45 N.m
	<b>J5</b>	4.45 N.m
	<b>J6</b>	2.2 N.m
<b>Allowable Moment of Inertia</b>	<b>J4</b>	0.27 kg.m <sup>2</sup>
	<b>J5</b>	0.27 kg.m <sup>2</sup>
	<b>J6</b>	0.03 kg.m <sup>2</sup>
<b>Maximum Speed</b>	<b>J1</b>	400°/sec
	<b>J2</b>	300°/sec
	<b>J3</b>	520°/sec
	<b>J4</b>	500°/sec
	<b>J5</b>	530°/sec
	<b>J6</b>	840°/sec
<b>Motion Range</b>	<b>J1</b>	± 170°
	<b>J2</b>	+85°/- 135°
	<b>J3</b>	+185°/-65°
	<b>J4</b>	± 190°
	<b>J5</b>	± 130°
	<b>J6</b>	± 360°

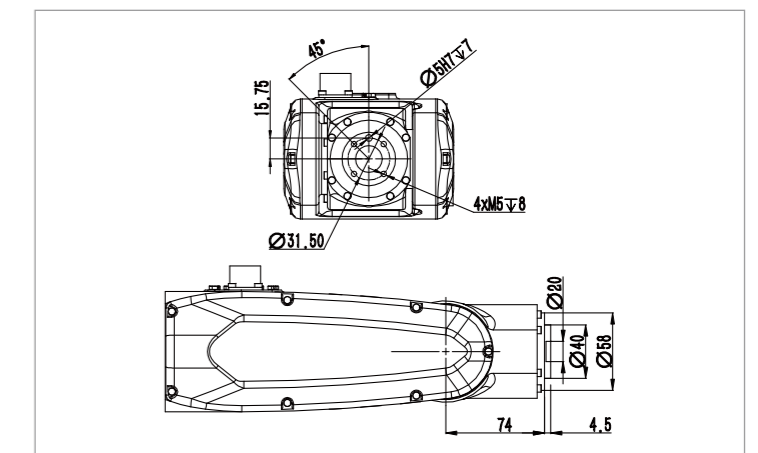
## OPERATING SPACE



## BASE MOUNTING SIZE



## END FLANGE MOUNTING SIZE



EFORT INTELLIGENT EQUIPMENT CO.,LTD.

PHONE: (00 86) 400-052-8877  
ADDRESS: No.96 East WanChun Road, JiuJiang Economic Development Zone, Wuhu, Anhui, China  
WWW.EFORT.COM.CN